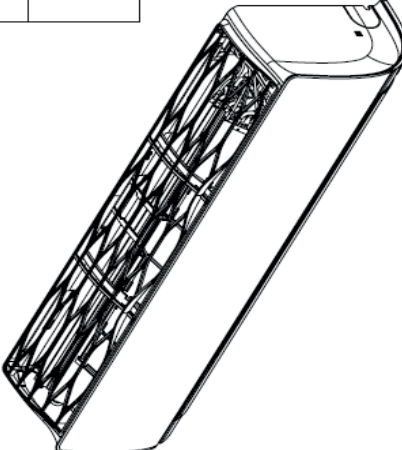
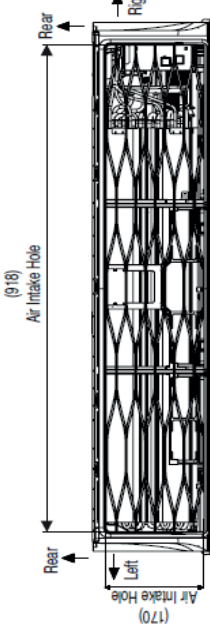


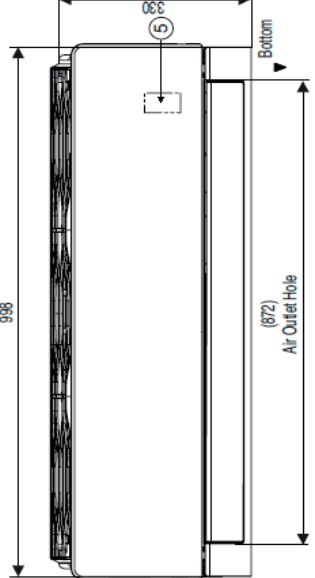
**MULTI F / MULTI FDx - STANDARD PLUS, typ PM18~24SP.NSK**

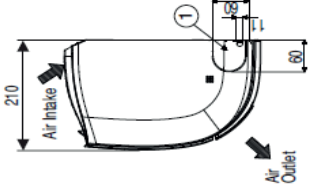
SK Chassis

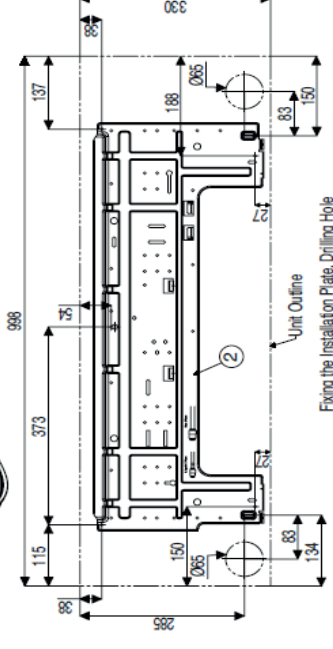
PM18SP P18EN PM18EP  
PM24SP P24EN



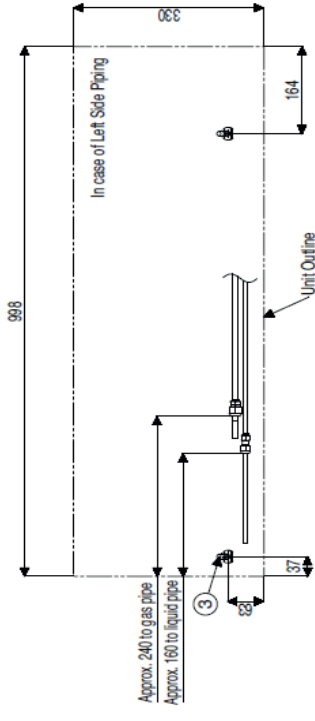




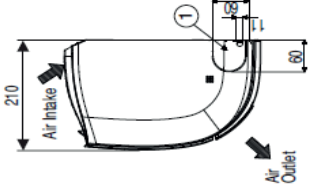




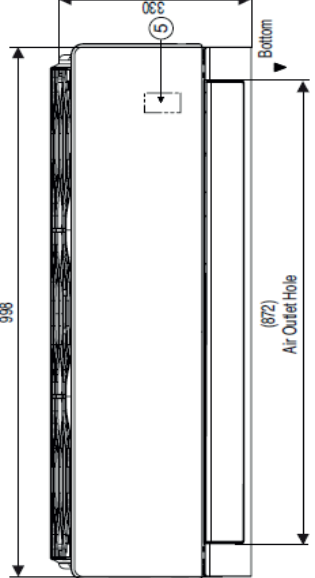
Fixing the Installation Plate, Drilling Hole

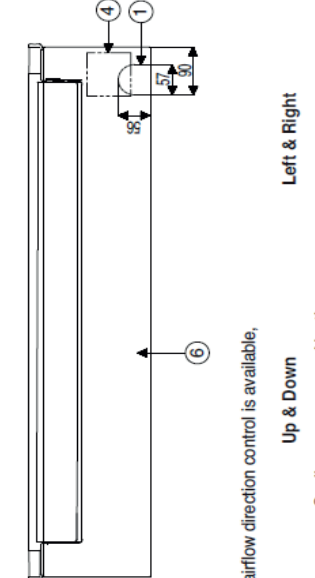


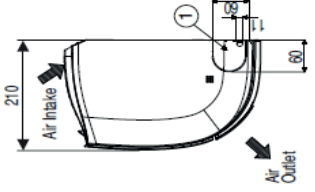
In case of Left Side Piping



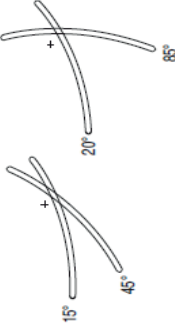
Unit Outline  
Connecting Gas/Liquid Pipe








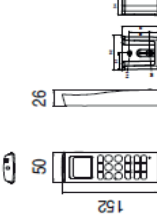
Up & Down

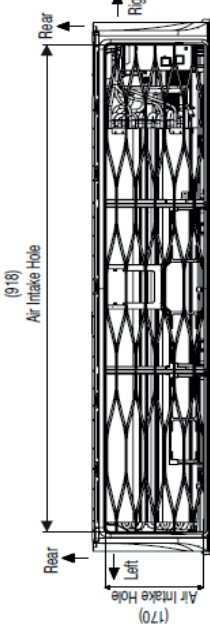


Left & Right



\* If airflow direction control is available,





| No | Name  | Description    |
|----|---|----------------|
| 6  | Decoration Cover                                  |                |
| 5  | Display & Remote Controller Signal Receiver       |                |
| 4  | Terminal Block for Power Supply and Communication |                |
| 3  | Drain Hose Connection                             |                |
| 2  | Installation Plate                                |                |
| 1  | Refrigerant, Drain Pipe and Cable Routing Hole    | Knock-out Type |

Unit : mm

187