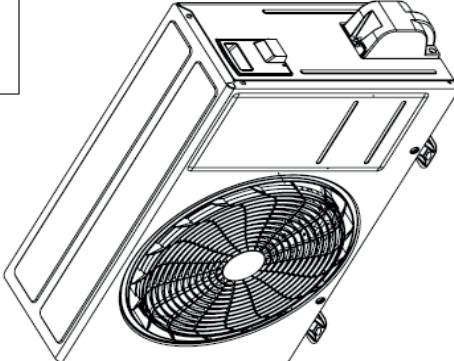
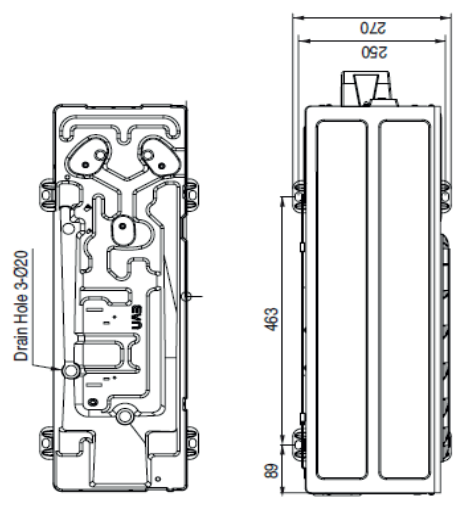
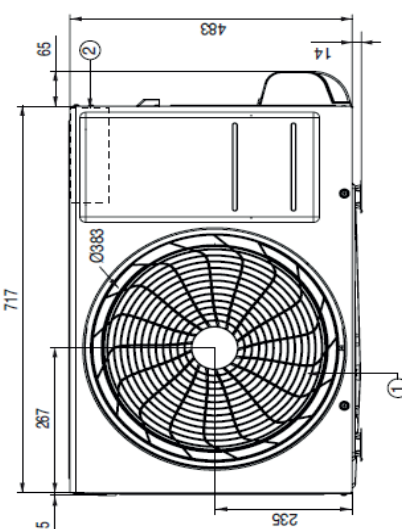
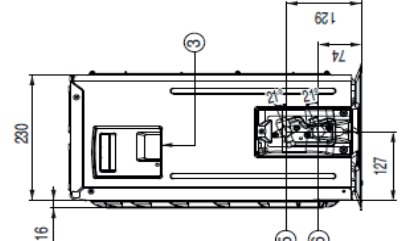
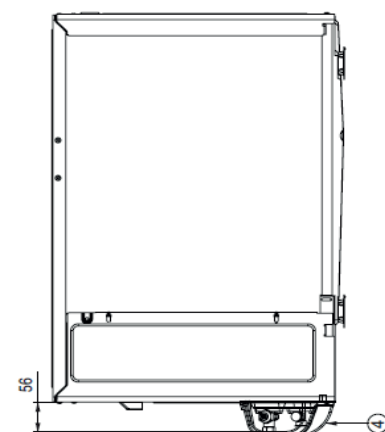


Kondenzační jednotky RAC - PM09~12SP.UA3, P09~12EN.UA3, AM09~12BP.UA3

UA3 Chassis

PM09SP PM09EP P09EN
PM12SP PM12EP P12EN



No	Name	Description
6	Liquid Pipe Connection	Flare Joint
5	Gas Pipe Connection	Flare Joint
4	Service Valve Cover	
3	Power and Communication Cable Hole	
2	Control Box	
1	Air Outlet	

Unit : mm