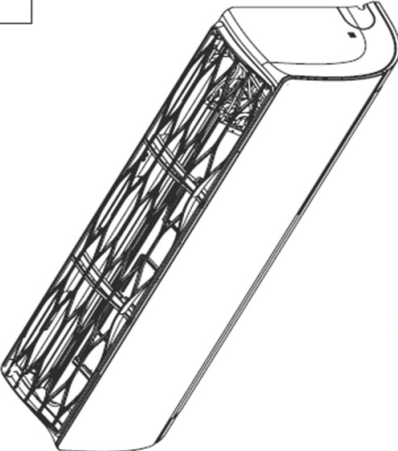
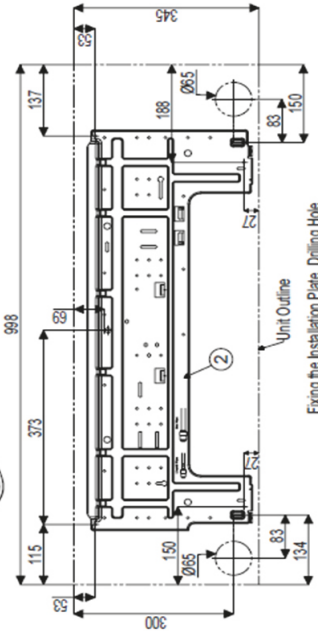
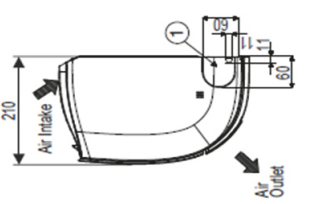
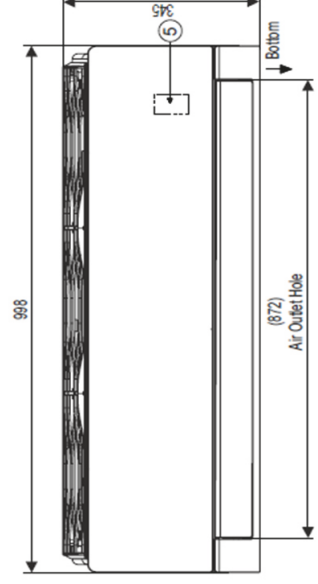
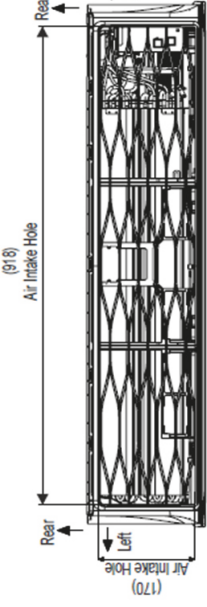
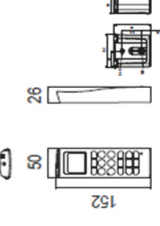
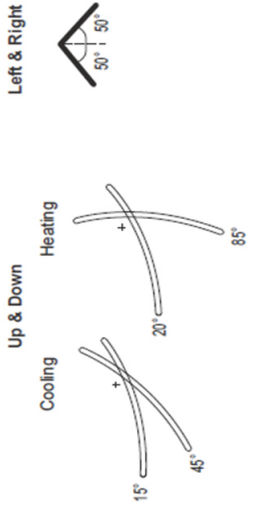


Nástěnné jednotky RAC - STANDARD (PLUS) PC18~24SQ, S18~24EQ

SK Chassis



* If airflow direction control is available,

No	Name	Description
6	Decoration Cover	
5	Display & Remote Controller Signal Receiver	
4	Terminal Block for Power Supply and Communication	
3	Drain Hose Connection	
2	Installation Plate	
1	Refrigerant, Drain Pipe and Cable Routing Hole	Knock-out Type