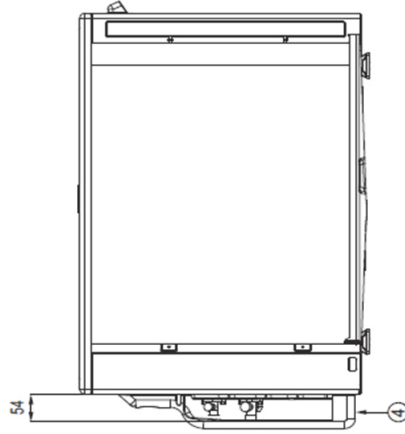
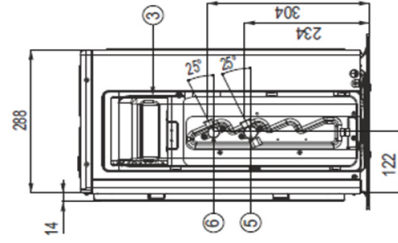
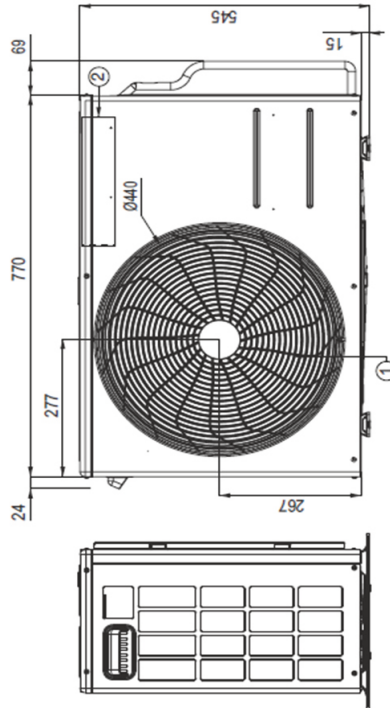
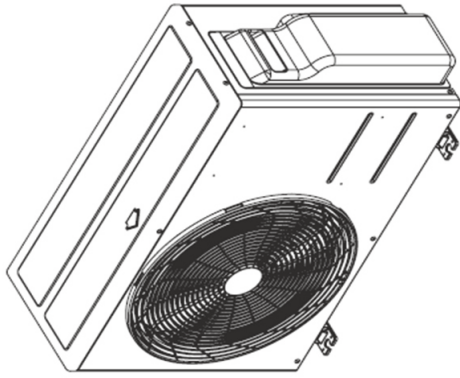
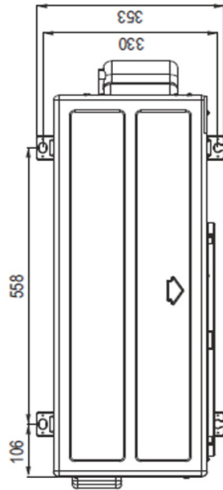
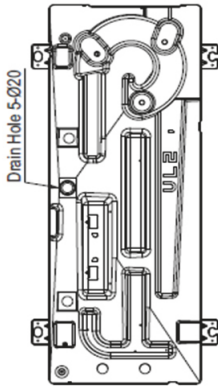


# Kondenzační jednotky RAC - DC09~18RQ, PC18SQ, S18EQ, AC18BQ, A09~12FR

## UL2 Chassis

Unit : mm



No	Name	Description
6	Liquid Pipe Connection	Flare Joint
5	Gas Pipe Connection	Flare Joint
4	Service Valve Cover	
3	Power and Communication Cable Hole	
2	Control Box	
1	Air Outlet	